



# ET-Roller 5

## Eccotarp electric roller for fire hoses up to 5"

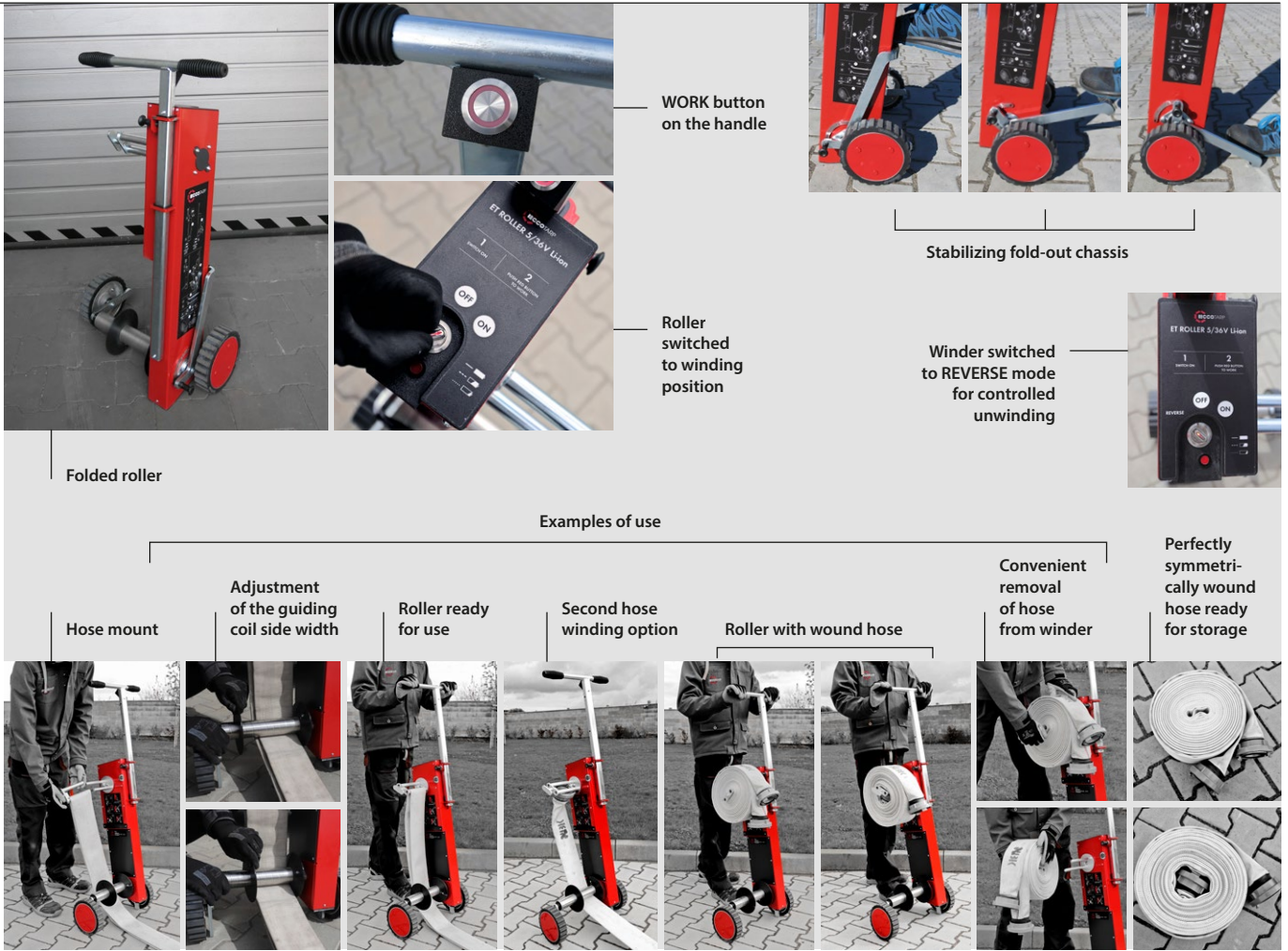
Compact battery-operated foldable fire hose roller tool with a powerful built-in electric motor minimizes the time required for reeling unwound fire hoses after action or training. The device can be also used for emptying filled fire hoses or for controlled unwinding of an already wound hose.



- ▷ Quick and convenient winding of both dry and wet fire hoses up to 5"
- ▷ Easy handling, quick assembly, folded to transport position in a single move
- ▷ Intelligent drive control – adjusts the speed of winding
- ▷ Battery-operated – winds up to 181 103 in of hose per one charging
- ▷ REVERSE function – for convenient unwinding of already wound hose
- ▷ Also for draining water from already filled fire hoses
- ▷ Ergonomic robust design with many improvements compared with standard rollers:
  - ▶ easy-to-operate fire hose winding system
  - ▶ removable fire hose holder – ensures easy handling of a wound hose
  - ▶ unique fold-out chassis – stabilizes the winder and keeps it steady during winding



- Compact size
- Stable
- Powerful
- Versatile
- For hoses up to 5" size
- winds 3 1/3 ft of hose per second



### Technical details

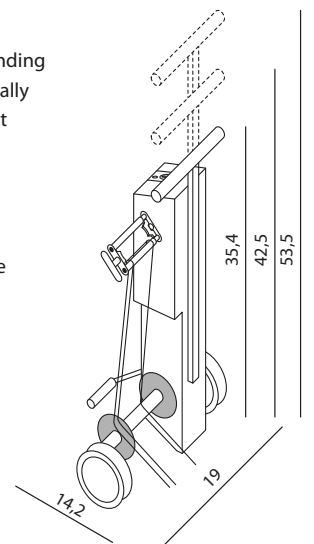
Robust steel frame. The heavy-duty parts of all the shafts are made of high-strength steel. Durable surface finish – powder-coated or galvanized. Powerful DC motor, water and dust resistant. Powerful Li-ion batteries (alternatively also lead VRLA batteries). Charger included. Safe operation thanks to low working voltage. Durable control elements. Unique design ensuring high stability during winding and allows for easy handling of the wound hose.

### Principle

The roller is very easy and quick to operate. Fit the straightened fire hose onto the removable carrier fork. Set the main switch to winding mode – ON. Press the WORK button on the handle and wind the full length of the hose. Then turn off the roller by changing to the position OFF. We can comfortably take the fire hose off thanks to the removable fork of the carrier immediately after winding, or if it needs to be moved closer, for example to the fire truck, we can leave it on a roller and take it to its destination, where it is subsequently removed from the roller. The winder can also be used for convenient draining water from the filled hose by pulling it over guiding coil or for controlled unwinding wound hoses using the REVERSE function.

### Safety

- Safety limit on winding power (automatically switches off if limit is exceeded)
- Smooth start, immediate stop
- Intelligent control system adjusts the speed of winding
- Safe working voltage – 36 V



Dimensions in use (w x d x h)	19 x 14,2 x 42,5 in
Dimensions of folded roller (w x d x h)	19 x 10,6 x 35,4 in
Height of roller with handle at the maximum	53,5 in
Package dimensions	29 x 10,6 x 30,7 in
Weight without fire hose	50,7 lb (including the Li-ion battery), 60 lb (including VRLA battery)
Types of fire hoses that can be wound	A, B, C, D, up to 5"