



Fire brigade



Liquidation
of Accidents



Transport
& Logistics

Industry

Foldable Dispenser Cart SDC 03

The Sorbent Dispenser Cart has been designed for use wherever it is necessary to use powdered sorbents to treat accidental leakages of harmful fluids (e.g., oil products, chemical fluids). For all currently used sorbents (including light and fibrous materials).



- ▶ Quick and easy to deploy in seconds
- ▶ Packed cart takes minimal space
- ▶ Simple adjustment for the thickness and breadth of application (max. 16 in)
- ▶ Adjustable handle
- ▶ Reinforcement of parts subject to stress



Easily portable, ensures even distribution of sorbents



Quick and easy to deploy (assembles and dismantles in seconds)



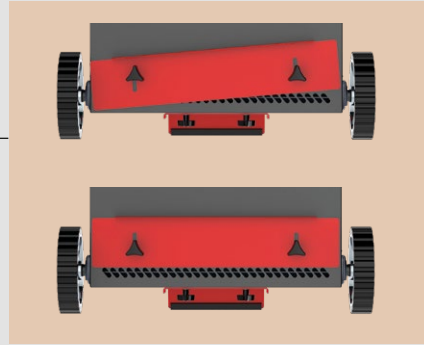
Adjustable anchor ensures stability of the cart while filling with sorbent. Space-saving storage.



Adjustable handle to suit different heights. Handle can be fixed in the extended position so that it will not come out by accident.



Peak performance: the sorbent is loosened by vibration and dispensed by a rotating scoop to ensure an even application to spillages.



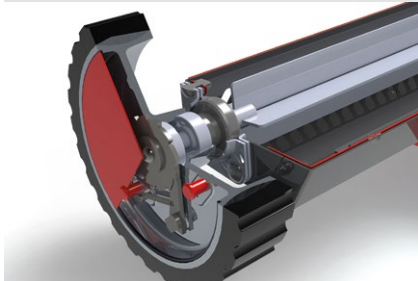
Simple adjustment for the thickness and breadth of application.



Examples of uses



A special transmission attached to the drive wheel enables spraying only during forward motion and not when backing. Reversing automatically prevents spraying.

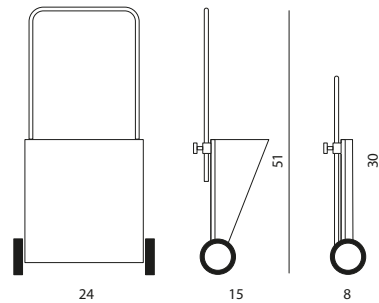


Top quality

Reinforcement of parts subject to stress, use of heavy duty material, stainless steel, polyurethane, industrial quality ball bearings, surfaces treated for resistance, parts proofed against the effects of dust. See details in Instructions for use.

Attention!

This product is not intended for use with abrasive materials and spreading salt! The cart must be cleaned after each use. Follow the Instructions for use.



Specifications

Dimensions when deployed (in)	width 24, depth 15 (with the handle extended), 51
Dimensions when dismantled (in)	width 24, depth 8 (height with inserted handle), 30
Wheel diameter (in)	7
Maximum volume (gal)	17
Pack size (in)	29 × 11 × 31
Weight of empty cart (lb)	29