



# Sorbent Dispenser Cart SDC 05

This Sorbent Dispenser Cart (SDC) has been designed for use wherever it is necessary to use powdered sorbents to treat accidental leakages of undesirable or harmful fluids (e.g., oil products, chemical fluids). The whole external case and top are of metal, ensuring greater rigidity and strength and protecting the sorbent from rain.



- ▶ For all currently used sorbents (including light and fibrous materials)
- ▶ Adjustment for the thickness and breadth of flow
- ▶ Adjustable handle
- ▶ Reinforcement of parts subject to stress



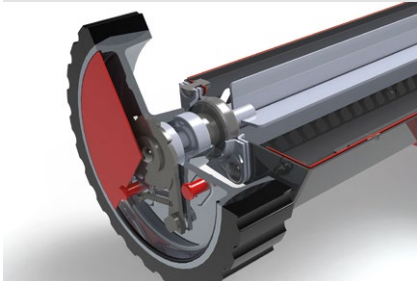
**Still ready to treat  
accidental leakages of  
undesirable or harmful  
fluids**



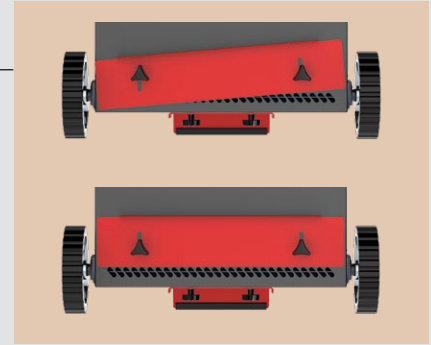
Adjustable handle to suit different heights. Handle can be fixed in the extended position so that it will not come out by accident.



Anchor ensures stability of the cart while filling with sorbent



A special transmission attached to the drive wheel enables spraying only during forward motion and not when backing. Reversing automatically prevents spraying, thus saving on sorbent.



Adjustment for the thickness and breadth of flow, ensuring even application of the sorbent

Examples of uses

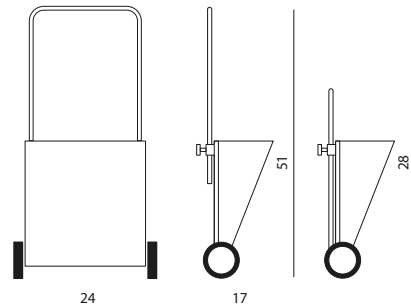


### Top quality

Reinforcement of parts subject to stress, use of heavy duty material, stainless steel, polyurethane, industrial quality ball bearings, surfaces treated for resistance, parts proofed against the effects of dust. See details in Instructions for use.

### Attention!

**This product is not intended for use with abrasive materials and spreading salt! The cart must be cleaned after each use. Follow the Instructions for use.**



Specifications

Dimensions when deployed with handle extended (in) (width, depth, height)	24 × 17 × 28 / 51
Wheel diameter (in)	7
Maximum volume (gal)	17
Pack size (in)	24 × 17 × 31
Weight of empty cart (lb)	49