



ECCOTARP HazMat

Large Surface Folding Pool ET Large



INSTRUCTIONS FOR USE

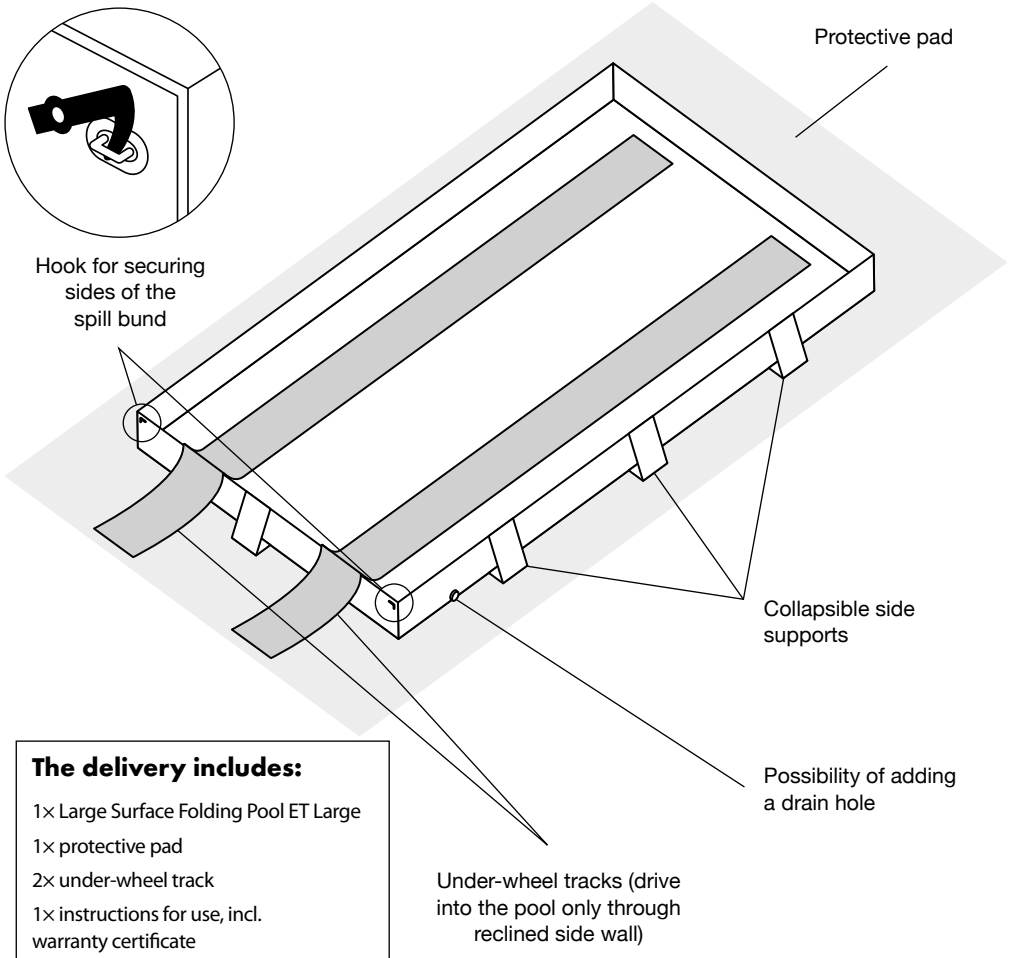
US



This document describes the operation and characteristics of the Large Surface Folding Pool ET Large (hereinafter „pool“). It contains important information about how to use the pools properly and how to increase their reliability and life. This document must always be available in the place where the pools are used. Keep it together with the pools at all times. The operator is responsible for using the pools safely and in compliance with the instructions in this manual, which applies to any third persons as well. If you have any doubts about the correct use of the pools, please contact the manufacturer or an authorized dealer.

Large Surface Folding Pools ET Large are designed primarily for mobile use as a protection against leakage of hazardous substances into the soil and water, eg. during repairs or cleaning of vehicles and machines decontamination and washing of all types of vehicles. They have a shapeable construction and can be manufactured in any size required by the customer.

Large Surface Folding Pool ET Large



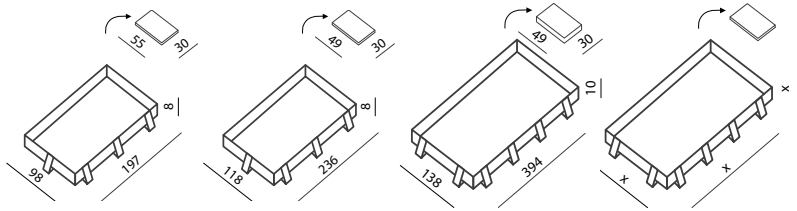
Specification of types of Large Surface Folding Pools

ET Large

Large Surface Folding Pools ET Large have welded corners, yet they enable complete unfolding to a flat surface, entering into the pool, eg. by a car or other vehicle, and to be easily washed after usage.

Large Surface Folding Pools ET Large are produced in several basic sizes, but we also produce spill bunds and pools according to individual customer requirements.

Technical details



Type	ET LARGE 111	ET LARGE 333	ET LARGE 444	ET LARGE INDIVID
Dimensions (in)	197 × 98 × 8	236 × 118 × 8	394 × 138 × 10	dimensions according to customer's requirements (x)
Capacity (gal)	660	951	2312	
Dimensions when folded up (in)	55 × 30 × 6	49 × 39 × 6	49 × 39 × 14	
Weight (lb)	112.5	168	331	

General information



When using the bunds, observe these instructions as well as all the safety notices herein.

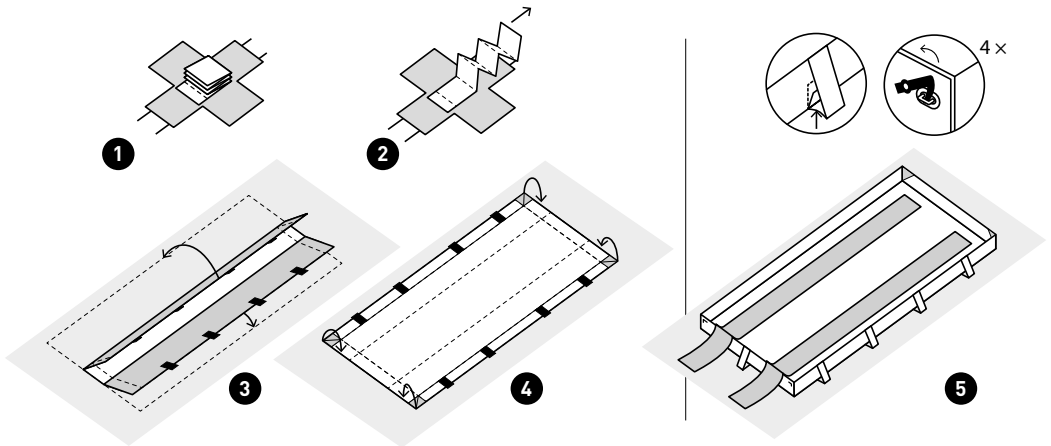
1. The bunds are designed as fast solution for emergency situations. They are intended for catching hazardous substances leaking into the environment.
2. They are produced in different dimensions.
3. Their structure can be shaped and adapted to uneven surface and other obstacles.
4. The bunds are self-supporting.
5. They are made of a chemically resistant material – PVC with a protective proofing layer (PES/ PVC 2 lb/10.7 ft²) – see Chemical resistance certificate, p. 7.
6. The bunds are not intended for long-term storage of aggressive substances.
7. The range of temperatures for the use of the bunds is from -22 °F to +158 °F.
8. As a standard, the bunds are delivered in transport bags.
9. In order to increase the life of the bunds we recommend using the following accessories: protective pad and under-wheel tracks which are part of the product on standard models.
10. The bund can be fitted with a drain hole and a ball valve on request

Instructions for putting the bund into the ready-to-use position



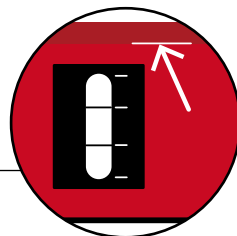
Take the bund and the accessories out of the transport bag. Place a protective pad on the cleaned surface and spread the pool on a flat surface. By lifting the sides, securing the corners with yellow hooks and securing the collapsible side supports, the ET Large folding pool is simply created.

Illustrated instructions for assembly of ET Large Folding Pool



Handling instructions and safety warnings

1. Put the bund onto a flat surface, if possible.
2. Make sure there are no sharp objects under the bund, such as pieces of broken glass, nails, sharp stones, etc., which might mechanically damage its bottom.
3. Do not put the product near fire or any other sources of heat.
4. The range of temperatures for the use of the bunds is from -22 °F to +158 °F.
5. The bunds are resistant to a large number of different liquids and loose materials – see the Chemical resistance certificate, p. 7.
6. The bunds are not intended for long-term storage of aggressive substances.
7. Fill the bund up only to the upper weld joint of the reinforcement.
8. Do not move or pull a filled bund on the ground – the manufacturer's warranty does not cover mechanical damage.
9. After each use it is necessary to wash the bund thoroughly, clean it with suitable detergents and let it dry completely.
10. Observe the safety measures for working with hazardous liquids and with substances harmful to the environment.
11. Make sure you observe any necessary precautions regarding personal safety, such as the use of protective equipment.



Accessories to ET Large Folding Pools

Standard models of ET Large Folding Pools are supplied with under-wheel tracks and a protective pad, which significantly extend the life of the pool. The following optional accessories for ET Large Folding Pools are provided for a surcharge.

Type	ET LARGE 111	ET LARGE 333	ET LARGE 444	ET LARGE INDIVID
Protective pad (in)	217 × 118	256 × 138	433 × 177	on demand
Under-wheel tracks (in)	236 × 24	276 × 24	433 × 24	on demand
Drain hole on request	yes	yes	yes	yes
Ball valve on request	yes	yes	yes	yes
Hose with outlet on request	yes	yes	yes	yes

Maintenance and storage

After the draining and prescribed environment-friendly disposal of the collected substance, the product should be washed with proper neutralization detergent (in the case of aggressive substances) and lukewarm water or another suitable detergent. We recommend storing the pools folded in the carrying bag so that they are not damaged while not in use. The pool must be dried thoroughly before it is put into the bag. For long-term storage, place the pool in a dry place out of the reach of UV radiation.

Important contact information

Qualified service:

ECCOTARP USA, inc.

357 West 36th Street

New York, NY 10018

USA

office@eccotarp.com

T: 929 271 8437

Repair

Any repair work on the collapsible bunds must always be done by the manufacturer's qualified personnel. In the event of unprofessional repair or design change, the product's proper operation cannot be guaranteed. If you want to request repair, order accessories or lodge a complaint, please, contact our qualified service department.

Warranty conditions

The warranty period is indicated in the warranty certificate on the last page of these Instructions for use.

The warranty period is 24 months and begins on the day indicated in the warranty certificate. The warranty does not apply to the normal wear and tear or to damage caused by improper use or by the instructions in this manual not being observed.

Disposal

The pool must be disposed of in compliance with applicable legal regulations and with the user's internal directives.

Chemical resistance certificate

Applicable to all types of Collapsible Spill Bunds, Funnels and Protective Liners.

Resistance levels:

- A) resistant
- B) resistant for at least 3 hours
- C) non-resistant

Name of substance	Chemical formula	Resistance level at the temperature of 68 °F	Resistance level at the temperature of 140 °F
LIQUID SUBSTANCES			
Acetone	CH ₃ COCH ₃	C	C
Acetonitrile	CH ₃ CN	A	A
Ammonia	NH ₃	A	A
Benzene	C ₆ H ₆	B	B
Tar	mixture	C	C
Dimethylformamide	C ₄ H ₉ NO	A	A
Ethanol	C ₂ H ₅ OH	A	A
Ethylbenzene	C ₈ H ₁₀	A	A
Formaldehyde	CH ₂ O	B	B
Chlorine	Cl	C	C
Chloroform	CHCl ₃	C	C
Transformer oil		A	A
Hydrochloric acid	HCl	A	A
Nitric acid	HNO ₃	A	B
Phosphoric acid	H ₃ PO ₄	A	B
Formic acid	HCOOH	B	B
Acetic acid	CH ₃ COOH	A	B
Sulphuric acid	H ₂ SO ₄	A	B
Sulphurous acid	H ₂ SO ₃	A	B
Methanol	CH ₃ OH	A	A
Mercury	Hg	A	A
Hydrogen sulphide	H ₂ S	A	B
Styrene	C ₈ H ₈	A	A
Pentane	C ₅ H ₁₂	A	A
Toluene	C ₆ H ₅ CH ₃	A	A
Hydrogen peroxide	H ₂ O ₂	A	A

Name of substance	Chemical formula	Resistance level at the temperature of 68 °F	Resistance level at the temperature of 140 °F
SOLID SUBSTANCES			
Ammonium acetate	CH ₃ COONH ₄	A	A
Borax	Na ₂ [B ₃ O ₆ (OH) ₃]-8H ₂ O	A	A
Sugar	mixture	A	A
Potassium cyanide	KCN	A	A
Ammonium nitrate	NH ₄ NO ₃	A	A
Calcium nitrate	Ca(NO ₃) ₂	A	A
Phenol	C ₆ H ₅ OH	B	B
Ammonium phosphate	(NH ₄) ₃ PO ₄	A	A
Potassium nitrate	KNO ₃	A	A
Potassium	KOH	A	A
Sodium hydroxide	NaOH	A	A
Ammonium chloride	NH ₄ Cl	A	A
OPERATING FLUIDS			
Petrol		B	B
Diesel fuel		B	B
Motor oil		B	B
Methyl tert-butyl ether (MTBE)	C ₈ H ₁₈ O	B	B
Hydraulic oils		B	B

Notice:

ECCOTARP collapsible spill bunds are compatible to varying degrees with the substances listed above.

However, given the almost unlimited number of potential combinations of chemicals plus the influence of factors such as concentration and temperature, this list does not claim to be definitive and is only intended for informative purposes in predicting the behaviour of the chemicals concerned.

Compatibility with the listed substances cannot be entirely guaranteed. Neither the manufacturer nor the distributor provides any warranty, nor do they accept any responsibility for resultant damage.

For a reliable estimate of the level of resistance to a specific substance, we recommend you to test small samples using miniature laboratory funnels which can be provided upon request by the manufacturer.



The ECCOTARP collapsible spill bunds are not intended for long-term storage of retrieved spilt liquids. They were developed first and foremost for rapid use in emergencies, for capturing hazardous substances during the time immediately before its correct disposal.

Warranty Certificate



This product is guaranteed for 24 months.

This warranty covers:

for defects caused by a manufacturing defect of the material used, in particular a leak at the welds, a defect in the fittings and any other damage, not caused by demonstrable mishandling by the user or any modification of the product.

This warranty does not cover:

damages caused by improper handling and use of the product and failure to follow the "user manual". For example, punctures or other damage caused by placing the product in an inappropriate area with sharp objects, use or placing the product near open flames, and other inappropriate uses.

The manufacturer is not liable for any direct or indirect damage caused by misuse, other than the recommended use of the product.

Complaints must be applied within 24 months of purchase from your supplier. When applying please provide your complaint with full details - product serial number, proof of purchase, where appropriate photographic documentation and a detailed description of the circumstances in which a fault has occurred.

In case of problems, please contact:

Products Name:

Production Code:

Stamp and Signature:

Date of sale:

Failure description:
