

Industrial Folding Funnel IFF



INSTRUCTIONS FOR USE

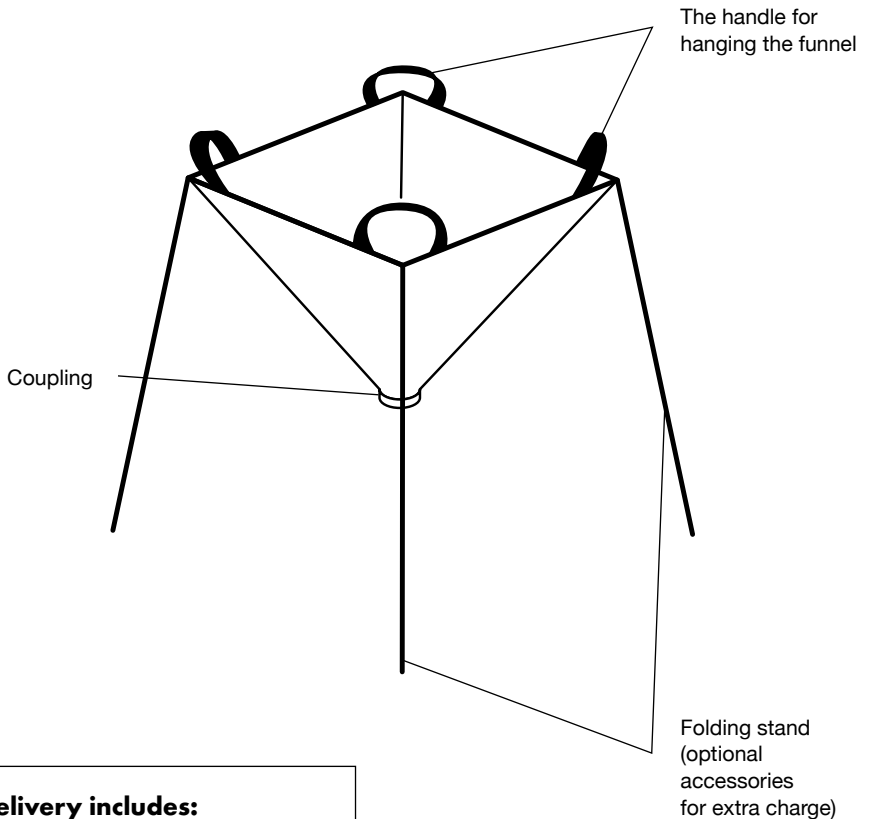
US



This document describes the operation and characteristics of the Industrial Folding Funnel IFF (hereinafter “funnel”). It contains important information about how to use the funnels properly and how to increase their reliability and life. This document must always be available in the place where the funnels are used. Keep it together with the funnels at all times. The operator is responsible for using the funnels safely and in compliance with the instructions in this manual, which applies to any third persons as well. If you have any doubts about the correct use of the funnels, please contact the manufacturer or an authorized dealer.

Industrial Folding Funnel IFF serves for capturing small drips in hard-to-reach places, or at heights (cracked pipes, etc.). They can be used alone or hung on special height-adjustable stands. Attaching the funnel to the hooks in the corners of the stand is quick and easy.

Industrial Folding Funnel IFF



The delivery includes:

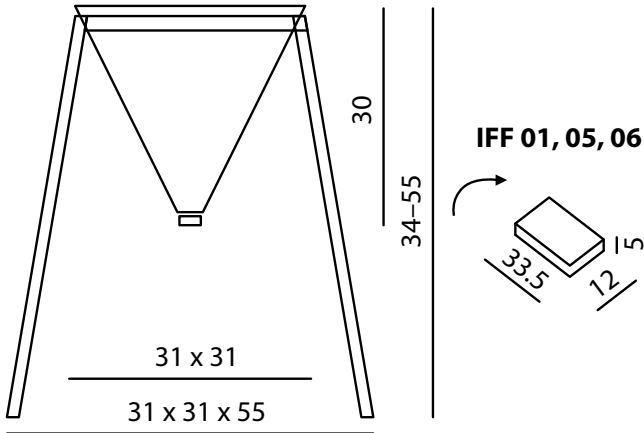
- 1× Industrial Folding Funnel IFF with coupling according to the choice of customer
- 1× Instructions for use, incl. warranty certificate
- + Optional accessories as per agreement

Specification of types of Industrial Folding Funnels IFF

Funnels IFF are produced in 2 basic sizes – volume 3 or 37 gallons – see the table below. It is possible to purchase a special height-adjustable folding stand for the larger funnel, which is used to hang the funnel – see additional accessories on page 5.

Technical details

Type	Volume (gal)	Weight (lb)	Dimensions (in)
Large funnels:			
IFF 01 Industrial Folding Funnel C52 – aluminium	37	4.2	31 × 31 × 30
IFF 05 Industrial Folding Funnel C52 – brass	37	5.1	31 × 31 × 30
IFF 06 Industrial Folding Funnel C52 – stainless steel	37	5.1	31 × 31 × 30
Small funnels:			
IFF 07 Industrial Folding Funnel D25 – aluminium	3	1.1	12 × 12 × 10



General information



When using the funnels, observe these instructions as well as all the safety notices herein.

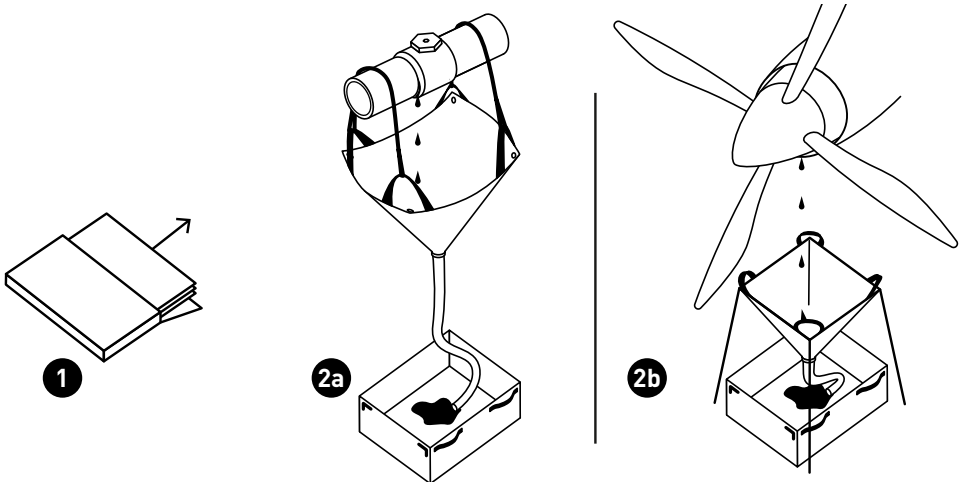
1. Funnels are used to catch escaping hazardous substances in hard-to-reach places, such as cracked pipes, etc.
2. Funnels IFF are produced in 2 basic volumes – 3 and 37 gallons.
3. If necessary, the large funnel can be hung on a special height-adjustable stand – see optional accessories, page 5.
4. The funnels have 4 handles in the corners for easy handling or hanging at height.
5. The funnels are made of a chemically resistant material – PVC with a protective proofing layer (PES/PVC 1.5 lb/10.7 ft²) – see Chemical resistance certificate, p. 7.
6. The funnels are not intended for long-term storage of aggressive substances.
7. The range of temperatures for the use of the funnels is from -22 °F to +158 °F.
8. The funnels are supplied with coupling as standard.
9. The bag is not a standard part of the product.

Instructions for putting the funnel into the ready-to-use position



Remove the funnel and any accessories from the transport bags. Secure the funnel with the handles in the corners under the leaking liquid. You can also hang the funnel on a height-adjustable stand if necessary. The coupling is used to attach the fire hose, which conducts the trapped liquid into a collection container.

Illustrated instructions for using the funnel IFF



Handling instructions and safety warnings

1. Do not put the product near fire or any other sources of heat.
2. The range of temperatures for the use of the funnels is from -22 °F to +158 °F.
3. The funnels are resistant to a large number of different liquids and loose materials (see the Chemical resistance certificate, p. 7).
4. The funnels are not intended for long-term storage of aggressive substances.
5. After each use it is necessary to wash the funnel thoroughly, clean it with suitable detergents and let it dry completely.
6. Observe the safety measures for working with hazardous liquids and with substances harmful to the environment.
7. Make sure you observe any necessary precautions regarding personal safety, such as the use of protective equipment.

Recommended optional accessories

A fire hose coupling is a standard part of every funnel. In addition to the large funnel, a height-adjustable folding stand can be ordered. It is also possible to purchase the above-standard accessories for the funnels at an additional cost.

Type	Weight (lb)	Dimensions (in)
Accessories for large funnel IFF 01, 05 or 06:		
IFF 03 Bag for funnel IFF 01, 05 or 06	0.4	22.8 × 19.7
IFF 02 Folding Stand	21.4	31 × 31 × 55
IFF 04 Bag for stand	0.3	31.5 × 7.9
Accessories for small funnel IFF 07:		
IFF 08 Bag for funnel IFF 07	0.3	15.8 × 15.8
Hose with end fittings D25, 5 m long	2.9	

Maintenance and storage

After the draining and prescribed environment-friendly disposal of the collected substance, the product must be washed with proper neutralization detergent (in the case of aggressive substances) and lukewarm water or another suitable detergent. We recommend storing the funnels folded in the carrying bag so that they are not damaged while not in use. The funnel must be dried thoroughly before it is put into the bag. For long-term storage, place the funnel in a dry place out of the reach of UV radiation.

Important contact information

Qualified service:

ECCOTARP USA, inc.
357 West 36th Street
New York, NY 10018
USA

office@eccotarp.com

T: 1 212-725-9845

Repair

Any repair work on the funnels must always be done by the manufacturer's qualified personnel. In the event of unprofessional repair or design change, the product's proper operation cannot be guaranteed. If you want to request repair, order accessories or lodge a complaint, please, contact your qualified supplier.

Warranty conditions

The warranty period is indicated in the warranty certificate on the last page of these Instructions for use. The warranty period is 24 months and begins on the day indicated in the warranty certificate. The warranty does not apply to the normal wear and tear or to damage caused by improper use or by the instructions in this manual not being observed.

Warning – the warranty does not cover damage from long-term exposure to chemicals. This can also occur after the product is improperly cleaned after intervention. Even a small amount of aggressive chemicals will cause degradation of the material from which it is made during long-term exposure. This can be manifested by microscopic cracks on the surface, or by a change in the properties of the material, which can lead to easy damage and tearing.

Disposal

The product must be disposed of in compliance with applicable legal regulations and with the user's internal directives.

Chemical resistance certificate

Applicable to all types of Collapsible Spill Berms, Funnels, Drip trays and Protective Liners.

Resistance levels:

- A) resistant
- B) resistant for at least 3 hours
- C) non-resistant

Name of substance	Chemical formula	Resistance level at the temperature of 68 °F	Resistance level at the temperature of 140 °F
Liquid substances			
Acetone	CH ₃ COCH ₃	C	C
Acetonitrile	CH ₃ CN	A	A
Ammonia	NH ₃	A	A
Benzene	C ₆ H ₆	B	B
Tar	mixture	C	C
Dimethyl-formamide	C ₄ H ₉ NO	A	A
Ethanol	C ₂ H ₅ OH	A	A
Ethylbenzene	C ₈ H ₁₀	A	A
Formaldehyde	CH ₂ O	B	B
Chlorine	Cl	C	C
Chloroform	CHCl ₃	C	C
Transformer oil		A	A
Hydrochloric acid	HCl	A	A
Nitric acid	HNO ₃	A	B
Phosphoric acid	H ₃ PO ₄	A	B
Formic acid	HCOOH	B	B
Acetic acid	CH ₃ COOH	A	B
Sulphuric acid	H ₂ SO ₄	A	B
Sulphurous acid	H ₂ SO ₃	A	B
Methanol	CH ₃ OH	A	A
Mercury	Hg	A	A
Hydrogen sulphide	H ₂ S	A	B
Styrene	C ₈ H ₈	A	A
Pentane	C ₅ H ₁₂	A	A
Toluene	C ₆ H ₅ CH ₃	A	A
Hydrogen peroxide	H ₂ O ₂	A	A

Name of substance	Chemical formula	Resistance level at the temperature of 68 °F	Resistance level at the temperature of 140 °F
Solid substances			
Ammonium acetate	CH ₃ COONH ₄	A	A
Borax	Na ₂ [B ₃ O ₆ (OH) ₃]-8H ₂ O	A	A
Sugar	mixture	A	A
Potassium cyanide	KCN	A	A
Ammonium nitrate	NH ₄ NO ₃	A	A
Calcium nitrate	Ca(NO ₃) ₂	A	A
Phenol	C ₆ H ₅ OH	B	B
Ammonium phosphate	(NH ₄) ₃ PO ₄	A	A
Potassium nitrate	KNO ₃	A	A
Potassium	KOH	A	A
Sodium hydroxide	NaOH	A	A
Ammonium chloride	NH ₄ Cl	A	A
Operating fluids			
Gas		B	B
Diesel fuel		B	B
Motor oil		B	B
Methyl tert-butyl ether (MTBE)	C ₅ H ₁₂ O	B	B
Hydraulic oils		B	B

Notice:

Ecotarp collapsible products are compatible to varying degrees with the substances listed above.

However, given the almost unlimited number of potential combinations of chemicals plus the influence of factors such as concentration and temperature, this list does not claim to be definitive and is only intended for informative purposes in predicting the behaviour of the chemicals concerned.

Compatibility with the listed substances cannot be entirely guaranteed. Neither the manufacturer nor the distributor provides any warranty, nor do they accept any responsibility for resultant damage.

For a reliable estimate of the level of resistance to a specific substance, we recommend you to test small samples using miniature laboratory funnels which can be provided upon request by the manufacturer.



The Ecotarp collapsible products are not intended for long-term storage of retrieved spilt liquids. They were developed first and foremost for rapid use in emergencies, for capturing hazardous substances during the time immediately before its correct disposal.

Warranty Certificate



This product is guaranteed for 24 months.

This warranty covers:

for defects caused by a manufacturing defect of the material used, in particular a leak at the welds, a defect in the fittings and any other damage, not caused by demonstrable mishandling by the user or any modification of the product.

This warranty does not cover:

damages caused by improper handling and use of the product and failure to follow the "user manual". For example, punctures or other damage caused by placing the product in an inappropriate area with sharp objects, use or placing the product near open flames, and other inappropriate uses.

Warning – the warranty does not cover damage from long-term exposure to chemicals. This can also occur after the product is improperly cleaned after intervention. Even a small amount of aggressive chemicals will cause degradation of the material from which it is made during long-term exposure. This can be manifested by microscopic cracks on the surface, or by a change in the properties of the material, which can lead to easy damage and tearing.

The manufacturer is not liable for direct or indirect damage caused by other than the recommended use of the product.

Complaints must be applied within 24 months of purchase from your supplier. When applying please provide your complaint with full details – product serial number, proof of purchase, where appropriate photographic documentation and a detailed description of the circumstances in which a fault has occurred.

Product Name:

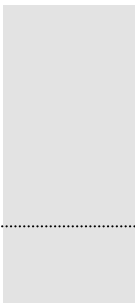
Production Code:

Date of sale:

Failure description:

Stamp and Signature:

In case of problems, please contact:



.....