

High capacity tank with collapsible structure



INSTRUCTIONS FOR USE

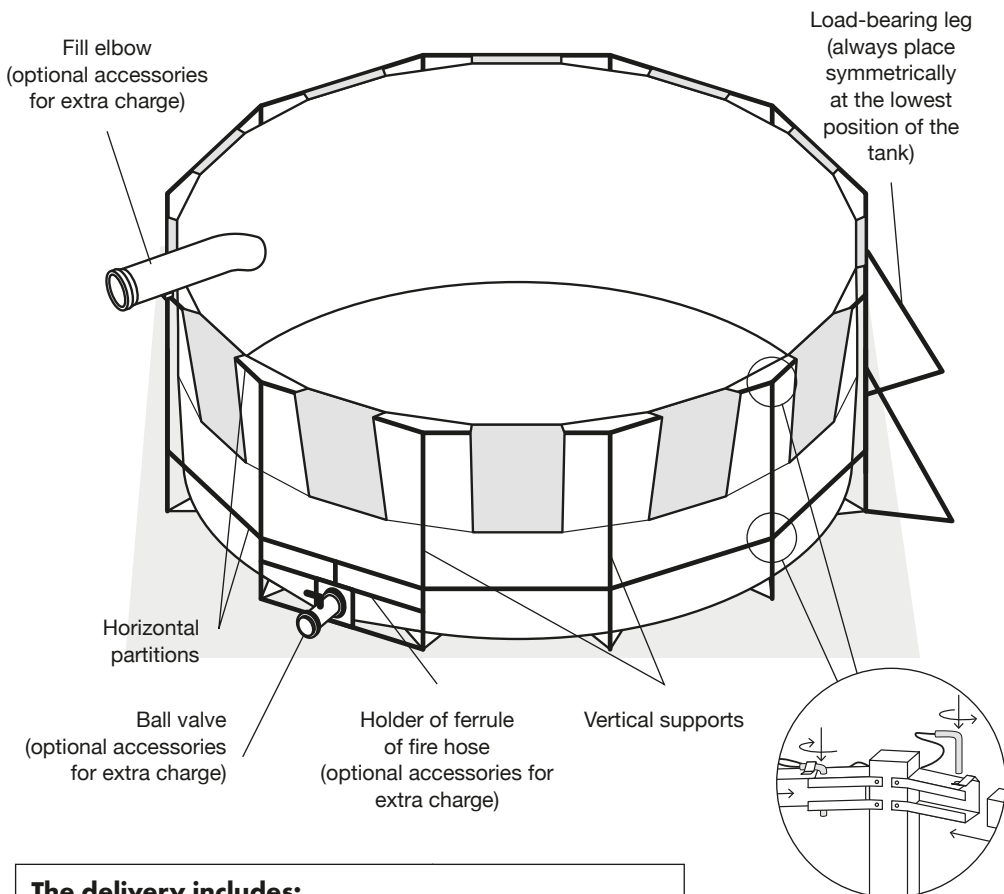
EN



This document describes the operation and characteristics of High capacity tank with collapsible structure (hereinafter „tank“). It contains important information about how to use the tanks properly and how to increase their reliability and life. This document must always be available in the place where the tanks are used. Keep it together with the tanks at all times. The operator is responsible for using the tanks safely and in compliance with the instructions in this manual, which applies to any third persons as well. If you have any doubts about the correct use of the tanks, please contact the manufacturer or an authorized dealer.

High capacity tanks with collapsible structure Eccotarp are suitable, for example, for firefighting by helicopter using a bambi bag or for pumping in hard-to-reach places.

High capacity tank with collapsible structure



The delivery includes:

- 1× High capacity tank
- 1× Transport bag for tank
- 1× Collapsible structure
- 1× Transport bag for Collapsible structure

- 1× Protection pad
- 1× Instructions for use, incl. warranty certificate
- + Optional accessories as per agreement

Technical details

High capacity tank with collapsible structure

Type	ET TANK 5000	ET TANK 7500	ET TANK 20000	ET TANK 35000	ET TANK 50000
Volume (l)	5000	7500	20000	35000	50000
Diameter (mm)	2300	2700	4200	5500	6600
Height (mm)	1300	1300	1500	1500	1500
Vertical supports/load-bearing legs	6/2	6/2	10/4	12/4	12/4
Package dimensions (mm) and weight of the structure (kg)	300 × 200 × 1350 30	300 × 200 × 1600 30	500 × 200 × 1550 50	500 × 200 × 1550 60	500 × 300 × 1700 70
Package dimensions (mm) and weight of the tank (kg)	300 × 200 × 800 20	300 × 200 × 800 25	400 × 400 × 1000 50	600 × 400 × 1100 70	800 × 500 × 1200 90

For accessory data, see p. 5.

General information



When using the tanks, observe these instructions as well as all the safety notices herein.

1. Tanks are designed as a quick solution for emergency situations. They serve as a backup source of water.
2. Tanks are produced in 5 sizes – volume 5000, 7500, 20000, 35000 or 50000 litres.
3. The tank must be placed on a horizontal surface if possible.
4. They are made of a chemically resistant material – PVC with a protective proofing layer (PES/PVC 900 g/m²) – see Chemical resistance certificate, p. 7.
5. The tanks are not intended for long-term storage of aggressive substances.
6. The range of temperatures for the use of the tanks is from -30 °C to +70 °C.
7. High-capacity tanks with collapsible structure are supplied in transport bags as standard.
8. In order to increase the life and the resistance of the tanks we recommend using the protective pad which is part of the product on standard models.
9. Tanks can be equipped with optional accessories on request at an additional cost – see p. 5.

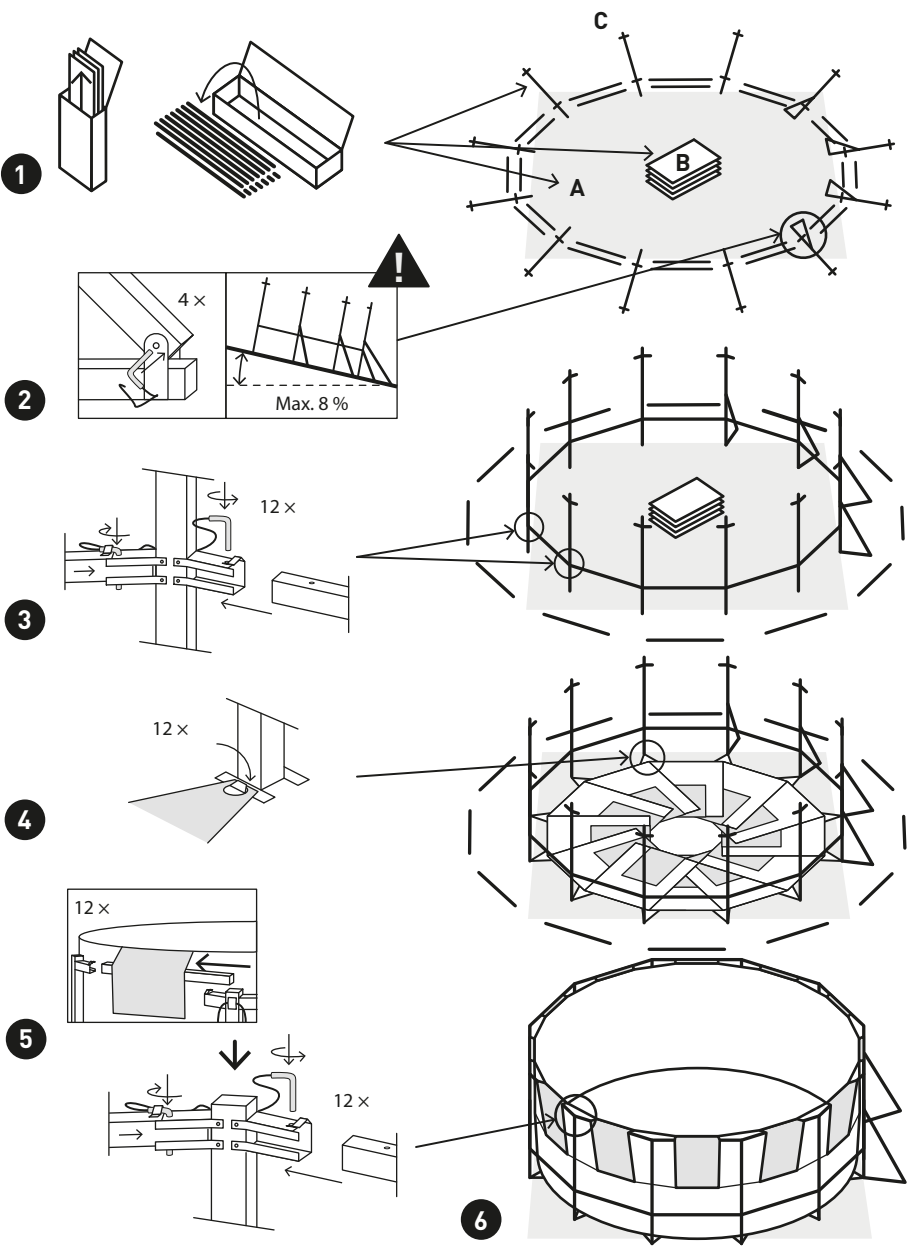
Instructions for putting the tank into the ready-to-use position



Remove the tank and the collapsible structure from the transport bags (point 1). Spread the protective pad on a flat surface (A) so that there is enough space around it to lay out the individual parts of the folding structure in the shape of a star (C). **The maximum slope of the tank is 8 %!** Place the tank (B) in the center of the protective pad. Start building the structure. Connect the load-bearing legs (point 2) with a crossbar using the locking pins (point 3). Follow these steps around the perimeter of the structure. Use legs with supports (point 2) on the part of the structure that will be subjected to greater pressure due to the slope of the terrain (it is therefore located downhill). Spread the tank sheet on a flat, circular surface. Anchor the lower part of the tank sheet to the lower part of the foot (point 4).

Gradually thread the remaining partitions of the structure along the upper perimeter of the tank tarpaulin (point 5) and anchor to the upper part of the foot using the locking pins. Follow these steps around the perimeter of the structure until you have built the entire tank. To disassemble, repeat the procedure in reverse order.

Illustrated instructions for unfolding the High capacity tank with structure



Handling instructions and safety warnings

1. If possible, install the tank on a horizontal surface. Permissible terrain inclination is max. 8 %.
2. Make sure there are no sharp objects under the tank, such as pieces of broken glass, nails, sharp stones, etc., which might mechanically damage its bottom.
3. Do not put the product near fire or any other sources of heat.
4. The range of temperatures for the use of the tanks is from -30 °C to +70 °C.
5. The tanks are resistant to a large number of different liquids and loose materials (see the Chemical resistance certificate, p. 7).
6. The tanks are not intended for long-term storage of aggressive substances.
7. Do not move or pull a filled tank on the ground – the manufacturer's warranty does not cover mechanical damage.
8. To increase the service life of the tank, the tank is supplemented with a protective pad under the bottom of the tank. **Always use a protective pad. It will not be possible to claim a warranty for any claims caused by the cut.**
9. Make sure not to exceed the maximum volume of tank – 5000, 7500, 20000, 35000 or 50000 litres of liquid according to the type of tank.
10. After each use it is necessary to wash the tank thoroughly, clean it with suitable detergents and let it dry completely.
11. Observe the safety measures for working with hazardous liquids and with substances harmful to the environment.
12. Make sure you observe any necessary precautions regarding personal safety, such as the use of protective equipment.

Recommended optional accessories

Standard package of a large-capacity tank with a collapsible structure includes a tank, a structure, a transport bag for the tank, a transport bag for the folding structure and a protective pad. The optional accessories listed below can be purchased with the tank on request.

Type	ET TANK 5000	ET TANK 7500	ET TANK 20000	ET TANK 35000	ET TANK 50000
Standard accessories					
Transport bag for tank	yes	yes	yes	yes	yes
Transport bag for collapsible structure	yes	yes	yes	yes	yes
Protective pad (mm)	2500 × 2500	3000 × 3000	4500 × 4500	6000 × 6000	7000 × 7000
Optional accessories for extra charge					
Fill elbow C52/B75/other	yes	yes	yes	yes	yes
Ball valve C52/B75/other	yes	yes	yes	yes	yes
Reduction coupling C52/B75/other	yes	yes	yes	yes	yes
Holder of ferrule of fire hose C52/B75/other	yes	yes	yes	yes	yes

Holder of ferrule of fire hose is an above-standard construction designed especially for the purpose of firmly anchoring the position of the ball valve with the valve at the bottom of the tank. Thanks to this element, there is no danger of coming out of the holder of ferrule of fire hose of the tank tarpaulin even at full load.

Maintenance and storage

After the draining and prescribed environment-friendly disposal of the collected substance, the product must be washed with proper neutralization detergent (in the case of aggressive substances) and lukewarm water or another suitable detergent. We recommend storing the tanks folded in the carrying bag so that they are not damaged while not in use. The tank must be dried thoroughly before it is put into the bag. For long-term storage, place the tank in a dry place out of the reach of UV radiation.

Important contact information

Manufacturer and qualified service:

Metal Arsenal s.r.o.
Poděbradova 1920
289 22 Lysá nad Labem
Czech Republic

info@eccotarp.com
T: +420 325 514 723
T: +420 737 802 153
T: +420 777 472 640

Repair

Any repair work on the collapsible containment tank must always be done by the manufacturer's qualified personnel. In the event of unprofessional repair or design change, the product's proper operation cannot be guaranteed. If you want to request repair, order accessories or lodge a complaint, please, contact your qualified supplier.

Warranty conditions

The warranty period is indicated in the warranty certificate on the last page of these Instructions for use. The warranty period is 24 months and begins on the day indicated in the warranty certificate. The warranty does not apply to the normal wear and tear or to damage caused by improper use or by the instructions in this manual not being observed.

Warning – the warranty does not cover damage from long-term exposure to chemicals. This can also occur after the product is improperly cleaned after intervention. Even a small amount of aggressive chemicals will cause degradation of the material from which it is made during long-term exposure. This can be manifested by microscopic cracks on the surface, or by a change in the properties of the material, which can lead to easy damage and tearing.

Disposal

The product must be disposed of in compliance with applicable legal regulations and with the user's internal directives.

Chemical resistance certificate

Applicable to all types of Collapsible Spill Bunds, Tanks, Funnels, Drip trays and Protective Liners.

Resistance levels:

- A) resistant
- B) resistant for at least 3 hours
- C) non-resistant

Name of substance	Chemical formula	Resistance level at the temperature of 20 °C	Resistance level at the temperature of 60 °C
Liquid substances			
Acetone	CH ₃ COCH ₃	C	C
Acetonitrile	CH ₃ CN	A	A
Ammonia	NH ₃	A	A
Benzene	C ₆ H ₆	B	B
Tar	mixture	C	C
Dimethyl-formamide	C ₄ H ₉ NO	A	A
Ethanol	C ₂ H ₅ OH	A	A
Ethylbenzene	C ₈ H ₁₀	A	A
Formaldehyde	CH ₂ O	B	B
Chlorine	Cl	C	C
Chloroform	CHCl ₃	C	C
Transformer oil		A	A
Hydrochloric acid	HCl	A	A
Nitric acid	HNO ₃	A	B
Phosphoric acid	H ₃ PO ₄	A	B
Formic acid	HCOOH	B	B
Acetic acid	CH ₃ COOH	A	B
Sulphuric acid	H ₂ SO ₄	A	B
Sulphurous acid	H ₂ SO ₃	A	B
Methanol	CH ₃ OH	A	A
Mercury	Hg	A	A
Hydrogen sulphide	H ₂ S	A	B
Styrene	C ₈ H ₈	A	A
Pentane	C ₅ H ₁₂	A	A
Toluene	C ₆ H ₅ CH ₃	A	A
Hydrogen peroxide	H ₂ O ₂	A	A

Name of substance	Chemical formula	Resistance level at the temperature of 20 °C	Resistance level at the temperature of 60 °C
Solid substances			
Ammonium acetate	CH ₃ COONH ₄	A	A
Borax	Na ₂ [B ₃ O ₆ (OH) ₃]-8H ₂ O	A	A
Sugar	mixture	A	A
Potassium cyanide	KCN	A	A
Ammonium nitrate	NH ₄ NO ₃	A	A
Calcium nitrate	Ca(NO ₃) ₂	A	A
Phenol	C ₆ H ₅ OH	B	B
Ammonium phosphate	(NH ₄) ₃ PO ₄	A	A
Potassium nitrate	KNO ₃	A	A
Potassium	KOH	A	A
Sodium hydroxide	NaOH	A	A
Ammonium chloride	NH ₄ Cl	A	A
Operating fluids			
Petrol		B	B
Diesel fuel		B	B
Motor oil		B	B
Methyl tert-butyl ether (MTBE)	C ₅ H ₁₂ O	B	B
Hydraulic oils		B	B

Notice:

Ecotarp collapsible products are compatible to varying degrees with the substances listed above.

However, given the almost unlimited number of potential combinations of chemicals plus the influence of factors such as concentration and temperature, this list does not claim to be definitive and is only intended for informative purposes in predicting the behaviour of the chemicals concerned.

Compatibility with the listed substances cannot be entirely guaranteed. Neither the manufacturer nor the distributor provides any warranty, nor do they accept any responsibility for resultant damage.

For a reliable estimate of the level of resistance to a specific substance, we recommend you to test small samples using miniature laboratory funnels which can be provided upon request by the manufacturer.



The Ecotarp collapsible products are not intended for long-term storage of retrieved spill liquids. They were developed first and foremost for rapid use in emergencies, for capturing hazardous substances during the time immediately before its correct disposal.

Warranty Certificate



This product is guaranteed for 24 months.

This warranty covers:

for defects caused by a manufacturing defect of the material used, in particular a leak at the welds, a defect in the fittings and any other damage, not caused by demonstrable mishandling by the user or any modification of the product.

This warranty does not cover:

damages caused by improper handling and use of the product and failure to follow the "user manual". For example, punctures or other damage caused by placing the product in an inappropriate area with sharp objects, use or placing the product near open flames, and other inappropriate uses.

Warning – the warranty does not cover damage from long-term exposure to chemicals. This can also occur after the product is improperly cleaned after intervention. Even a small amount of aggressive chemicals will cause degradation of the material from which it is made during long-term exposure. This can be manifested by microscopic cracks on the surface, or by a change in the properties of the material, which can lead to easy damage and tearing.

The manufacturer is not liable for direct or indirect damage caused by other than the recommended use of the product.

Complaints must be applied within 24 months of purchase from your supplier. When applying please provide your complaint with full details – product serial number, proof of purchase, where appropriate photographic documentation and a detailed description of the circumstances in which a fault has occurred.

Product name:

Production code:

Date of sale:

Failure description:

Stamp and signature:

In case of problems, please contact:

.....