

Collapsible railway bund ET RAIL



INSTRUCTIONS FOR USE

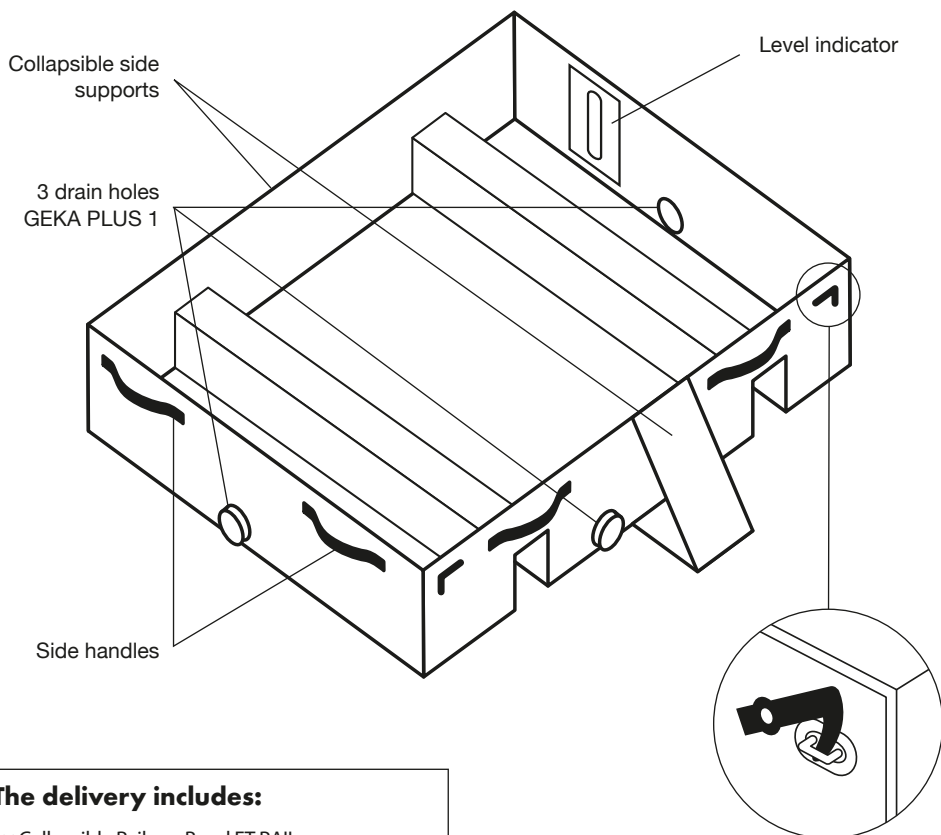
EN



This document describes the operation and characteristics of the Collapsible Railway Bund ET RAIL (hereinafter „bund“). It contains important information about how to use the bund properly and how to increase its reliability and life. This document must always be available in the place where the bund is used. Keep it together with the bund at all times. The operator is responsible for using the bund safely and in compliance with the instructions in this manual, which applies to any third persons as well. If you have any doubts about the correct use of the bund, please contact the manufacturer or an authorized dealer.

The collapsible railway bund has a design designed for use in a railway track. The bund is intended for the protection of the environment, people and objects in case of unwanted leakage of dangerous substances from trains and other railway vehicles. The specially shaped structure is developed in such a way that exactly copies the pitch of the track, but at the same time it also enables use without a rail support. The ideal use of the bund is, for example, in accidents on the railway, at railway stations, in the railway depot, when full train tanks are stopped, etc.

Collapsible Railway Bund ET RAIL



The delivery includes:

- 1× Collapsible Railway Bund ET RAIL
- 1× Instructions for use, incl. warranty certificate
- + Optional accessories as per agreement

Hook for securing sides of the spill bund

Technical details

Type	Dimensions of assembled bund (d × w × h)	Dimensions in transport (disassembled) state (d × w × h)	Volume	Weight
ET RAIL	1210 × 2500 × 330 mm	920 × 500 × 170 mm	800 l	12 kg

You can find information about accessories on p. 5.

General information



When using the bunds, observe these instructions as well as all the safety notices herein.

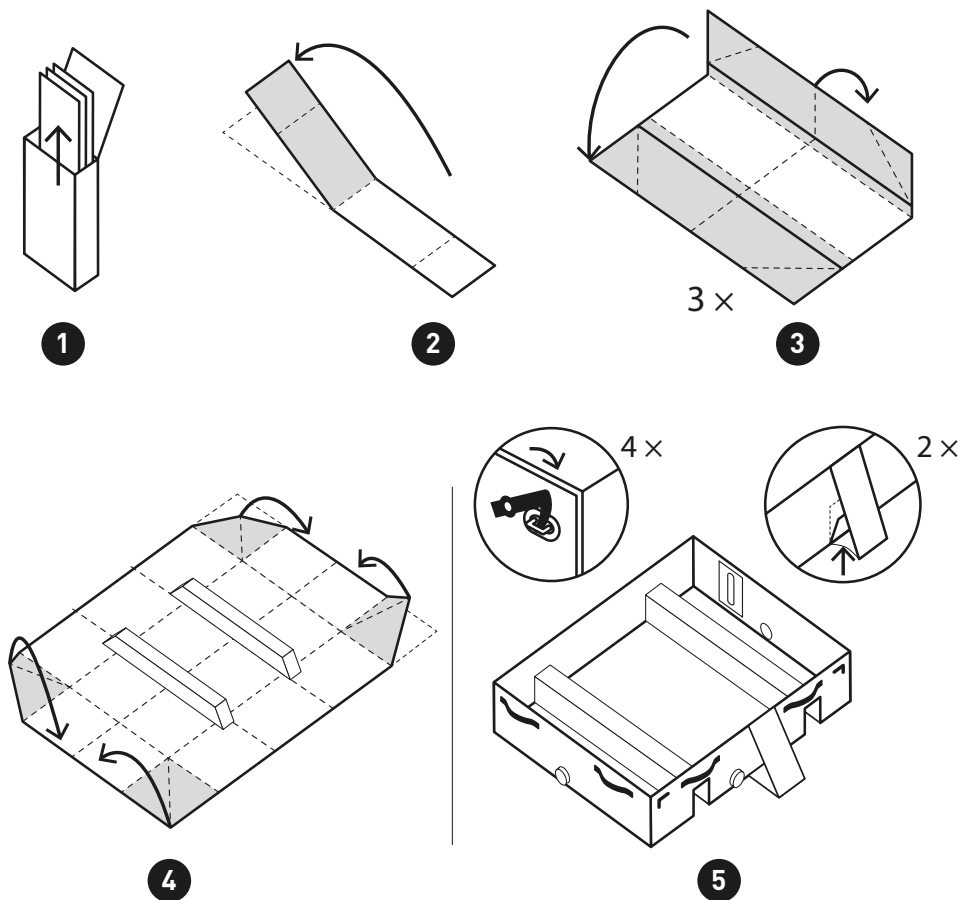
1. The bund is designed as a quick solution for emergency situations. It is used to capture dangerous substances leaked from trains and other rail vehicles.
2. The special construction of the bund exactly copies the track gauge of 1435 mm. The bund can be made in different sizes according to individual customer requirements.
3. The construction of the bund is shapeable and adaptable to uneven terrain and other obstacles.
4. The bund is self-supporting. The collapsible side supports ensure greater stability of the bund.
5. The bund is equipped as standard with three GEKA PLUS 1 drain holes.
6. The bund is made of a chemically resistant material – PVC with a protective proofing layer (PES/PVC 680 g/m²) – see Chemical resistance certificate, p. 7.
7. The bund is not intended for long-term storage of aggressive substances.
8. The range of temperatures for the use of the bunds is from -30 °C to +70 °C.
9. Maximum carrying capacity is 200 kg.
10. Maximum volume is 800 l.
11. Side handles are used to handle the bund.
12. As a standard, the bund is delivered in transport bag.
13. The bund can be fitted with a ball valve D25/other on request.

Instructions for putting the bund into the ready-to-use position



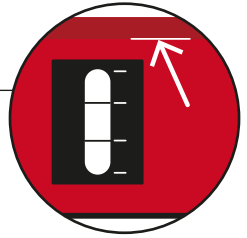
Take the bund out of the transport bag. Place in on the cleaned surface on the rail and spread the bund on a flat surface. By lifting the sides, securing the corners with yellow hooks and securing the collapsible side supports, the bund is simply created.

Illustrated instructions for assembly of Collapsible Railway Bund ET RAIL



Handling instructions and safety warnings

1. Make sure there are no sharp objects under the bund, such as pieces of broken glass, nails, sharp stones, etc., which might mechanically damage its bottom.
2. Do not put the product near fire or any other sources of heat.
3. The bunds are resistant to a large number of different liquids and loose materials (see the Chemical resistance certificate, p. 7).
4. The range of temperatures for the use of the bunds is from -30 °C to +70 °C.
5. The bunds are not intended for long-term storage of aggressive substances.
6. Fill the bund up only to the upper weld joint of the reinforcement.
7. Do not move or pull an empty or a filled bund on the ground – the manufacturer's warranty does not cover mechanical damage.
8. Use the handling belts to move a filled bund.
9. Make sure not to exceed the maximum volume of 800 l.
10. After each use it is necessary to wash the bund thoroughly, clean it with suitable detergents and let it dry completely.
11. Observe the safety measures for working with hazardous liquids and with substances harmful to the environment.
12. Make sure you observe any necessary precautions regarding personal safety, such as the use of protective equipment.



Recommended accessories

The railway bund is delivered in a transport bag as standard. A D25/other ball valve can be added to the bund as an optional accessory for an additional fee.

Maintenance and storage

After the draining and prescribed environment-friendly disposal of the collected substance, the product must be washed with proper neutralization detergent (in the case of aggressive substances) and lukewarm water or another suitable detergent. We recommend storing the bunds folded in the carrying bag so that they are not damaged while not in use. The bund must be dried thoroughly before it is put into the bag. For long-term storage, place the bund in a dry place out of the reach of UV radiation.

Important contact information

Manufacturer and qualified service:

Metal Arsenal s.r.o.

Poděbradova 1920

289 22 Lysá nad Labem

Czech Republic

info@eccotarp.com

T: +420 325 514 723

T: +420 737 802 153

T: +420 777 472 640

Repair

Any repair work on the railway bund must always be done by the manufacturer's qualified personnel. In the event of unprofessional repair or design change, the product's proper operation cannot be guaranteed. If you want to request repair, order accessories or lodge a complaint, please, contact your qualified supplier.

Warranty conditions

The warranty period is indicated in the warranty certificate on the last page of these Instructions for use.

The warranty period is 24 months and begins on the day indicated in the warranty certificate. The warranty does not apply to the normal wear and tear or to damage caused by improper use or by the instructions in this manual not being observed.

Warning – the warranty does not cover damage from long-term exposure to chemicals. This can also occur after the product is improperly cleaned after intervention. Even a small amount of aggressive chemicals will cause degradation of the material from which it is made during long-term exposure. This can be manifested by microscopic cracks on the surface, or by a change in the properties of the material, which can lead to easy damage and tearing.

Disposal

The product must be disposed of in compliance with applicable legal regulations and with the user's internal directives.

Chemical resistance certificate

Applicable to all types of Collapsible Spill Bunds, Tanks, Funnels, Drip trays and Protective Liners.

Resistance levels:

- A) resistant
- B) resistant for at least 3 hours
- C) non-resistant

Name of substance	Chemical formula	Resistance level at the temperature of 20 °C	Resistance level at the temperature of 60 °C
LIQUID SUBSTANCES			
Acetone	CH ₃ COCH ₃	C	C
Acetonitrile	CH ₃ CN	A	A
Ammonia	NH ₃	A	A
Benzene	C ₆ H ₆	B	B
Tar	mixture	C	C
Dimethyl-formamide	C ₃ H ₇ NO	A	A
Ethanol	C ₂ H ₅ OH	B	B
Ethylene glycol	C ₂ H ₄ O ₂	B	B
Ethyl acetate	C ₄ H ₈ O ₂	C	C
Ethylbenzene	C ₈ H ₁₀	A	A
Formaldehyde	CH ₂ O	B	B
Chlorine	Cl	C	C
Chloroform	CHCl ₃	C	C
Transformer oil		A	A
Gear oil		B	B
SAE 40 oil		A	A
Lubricating oil		A	A
Silicone oil		A	A
Turpentine distillates		B	B
Hydrochloric acid	HCl	B	B
Nitric acid	HNO ₃	B	B
Phosphoric acid	H ₃ PO ₄	A	B
Formic acid	HCOOH	B	B
Acetic acid	CH ₃ COOH	A	B
Sulphuric acid	H ₂ SO ₄	A	B
Sulphurous acid	H ₂ SO ₃	A	B
Isopropyl alcohol	C ₃ H ₈ O	B	B
Methanol	CH ₃ OH	B	B
Methylene chloride	CH ₂ Cl ₂	C	C
Sodium chloride solution 20%	NaCl	A	A
Mercury	Hg	A	A

Name of substance	Chemical formula	Resistance level at the temperature of 20 °C	Resistance level at the temperature of 60 °C
Hydrogen sulphide	H ₂ S	A	B
Styrene	C ₈ H ₈	A	A
Pentane	C ₅ H ₁₂	A	A
Toluene	C ₆ H ₅ CH ₃	C	C
Salt water		A	A
Water	H ₂ O	A	A
Hydrogen peroxide	H ₂ O ₂	A	A
Kerosene	C ₉ -C ₁₆	C	C
SOLID SUBSTANCES			
Ammonium acetate	CH ₃ COONH ₄	A	A
Borax	Na ₂ [B ₄ O ₅ (OH) ₄]-8H ₂ O	A	A
Sugar	mixture	A	A
Potassium cyanide	KCN	A	A
Ammonium nitrate	NH ₄ NO ₃	A	A
Calcium nitrate	Ca(NO ₃) ₂	A	A
Phenol	C ₆ H ₅ OH	B	B
Ammonium phosphate	(NH ₄) ₃ PO ₄	A	A
Potassium nitrate	KNO ₃	A	A
Potassium	KOH	A	A
Sodium hydroxide	NaOH	A	A
Ammonium chloride	NH ₄ Cl	A	A
OPERATING FLUIDS			
Petrol		B	B
Diesel fuel		B	B
Motor oil		B	B
Methyl tert-butyl ether (MTBE)	C ₅ H ₁₂ O	B	B
Hydraulic oils		B	B

Notice:

Eccotarp collapsible products are compatible to varying degrees with the substances listed above.

However, given the almost unlimited number of potential combinations of chemicals plus the influence of factors such as concentration and temperature, this list does not claim to be definitive and is only intended for informative purposes in predicting the behaviour of the chemicals concerned.

Compatibility with the listed substances cannot be entirely guaranteed. Neither the manufacturer nor the distributor provides any warranty, nor do they accept any responsibility for resultant damage.

For a reliable estimate of the level of resistance to a specific substance, we recommend you to test small samples using miniature laboratory funnels which can be provided upon request by the manufacturer.



The Eccotarp collapsible products are not intended for long-term storage of retrieved spilt liquids. They were developed first and foremost for rapid use in emergencies, for capturing hazardous substances during the time immediately before its correct disposal.

Warranty Certificate



This product is guaranteed for 24 months.

This warranty covers:

for defects caused by a manufacturing defect of the material used, in particular a leak at the welds, a defect in the fittings and any other damage, not caused by demonstrable mishandling by the user or any modification of the product.

This warranty does not cover:

damages caused by improper handling and use of the product and failure to follow the "user manual". For example, punctures or other damage caused by placing the product in an inappropriate area with sharp objects, use or placing the product near open flames, and other inappropriate uses.

Warning – the warranty does not cover damage from long-term exposure to chemicals. This can also occur after the product is improperly cleaned after intervention. Even a small amount of aggressive chemicals will cause degradation of the material from which it is made during long-term exposure. This can be manifested by microscopic cracks on the surface, or by a change in the properties of the material, which can lead to easy damage and tearing.

The manufacturer is not liable for direct or indirect damage caused by other than the recommended use of the product.

Complaints must be applied within 24 months of purchase from your supplier. When applying please provide your complaint with full details – product serial number, proof of purchase, where appropriate photographic documentation and a detailed description of the circumstances in which a fault has occurred.

Product name:

.....

Production code:

.....

Stamp and signature:

.....

Date of sale:

.....

In case of problems, please contact:

.....

Failure description:

.....

.....