



Backsaver ET-Roller 7

**Electric Roller
for fire hoses
up to 6" – powered
by Milwaukee
batteries**

Compact battery-operated Foldable Fire Hose Roller with a powerful built-in electric motor powered by two Milwaukee batteries minimizes the time required for reeling unwound fire hoses after action or training. The 4-wheel chassis ensures high comfort during winding and subsequent handling of heavy fire hoses. The device can be also used for emptying filled fire hoses or for controlled unwinding of an already wound hose.



- ▷ 660W electric motor powered by two Milwaukee batteries
- ▷ A unique Quick Release Mechanism for swift replacement of carriers designed for winding various sizes of fire hoses
- ▷ Foldable 4-wheel chassis for high comfort during winding of heavy fire hoses
- ▷ Telescopic handlebars for easy operation of the roller
- ▷ Quick and convenient winding of both dry and wet fire hoses up to 6"
- ▷ Two types of removable carriers (DRUM or 2 FORKS) according to the size of the hose to be wound up
- ▷ Suitable for various winding methods – smooth winding of the hose by the coupling as well as hoses folded in half
- ▷ Intelligent motor control system – immediate signal in case of overload, e.g., due to hose entanglement



„DRUM“ type of removable carrier for 5" and 6" hoses

„2 FORKS“ type of removable carrier for hoses up to 4"

- **Electric:**
powerful electric motor powered by two Milwaukee batteries
- **Powerful:**
easily winds heavy 25m, 48kg, 6" hoses
- **Universal:**
suitable for hoses up to 6"
- **Comfortable:**
stable 4-wheel chassis for easy winding of heavy fire hoses without effort, back or arms pain
- **Foldable:**
easy to transport
- **Robust:**
durable steel construction
- **Safe:**
innovative guiding coil with integrated safety feature



Winding of 6" fire hose



Instructions for use



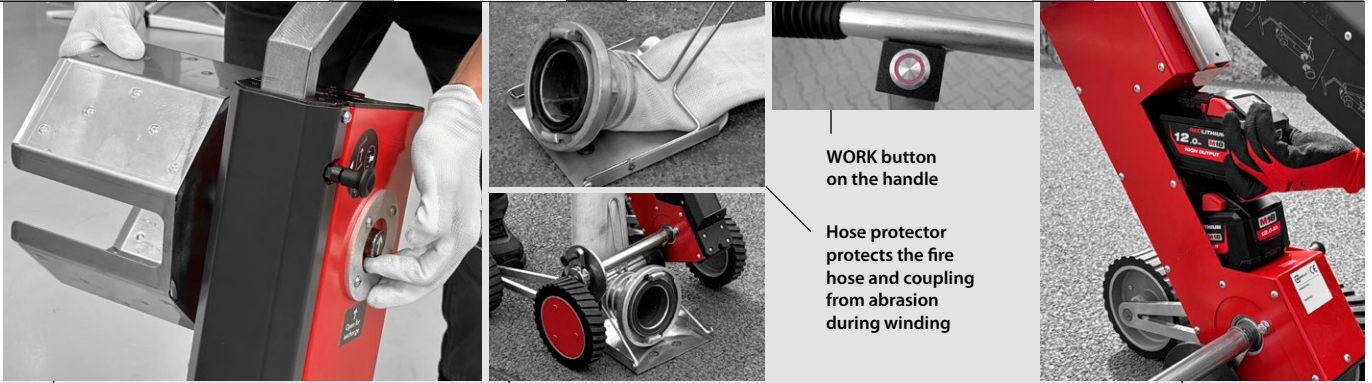
Quick Release Mechanism



Hose draining



Hose protector



One winder for all types of hoses – the Quick Release Mechanism allows instant replacement of the carrier for convenient winding of various types and sizes of fire hoses

The lowered position of the guiding coil ensures better functionality and also serves as a safety stop for the hose coupling during the final stage of winding

Electric motor powered by Milwaukee batteries

Winding procedure with „DRUM“ type carrier

Secure the hose in the DRUM carrier with manual tightening

Adjustment of the guiding coil side width

Roller ready for use

Release of the guiding coil

Convenient removal of hose from roller

Perfectly symmetrically wound hose ready for storage



Technical details

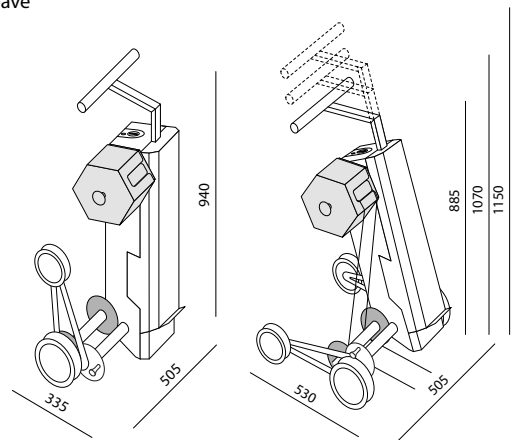
Robust steel frame. The heavy-duty parts of all the shafts are made of high-strength steel. Durable surface finish – powder-coated or galvanized. Powerful DC motor, water and dust resistant. Motor powered by two Milwaukee batteries (not included). Unique design ensuring high stability during winding and allows for easy handling of both the winder and the wound hose. A foldable 4-wheel chassis for comfortable winding and subsequent transport of large and heavy fire hoses with minimal strain on the back and arms. Quick Release Mechanism for swift carrier replacement, allowing the winding of fire hoses of various sizes. As an optional accessory we recommend the „hose protector“ to prevent abrasion of the fire hose and its fittings during the winding process.

Principle

The roller is very easy and quick to operate. Fit the straightened fire hose onto the selected type of removable carrier. Set the main switch to winding mode – ON. Press the WORK button on the handle and wind the full length of the hose. Then turn off the roller by changing to the position OFF. We can comfortably take the fire hose off thanks to the removable carrier immediately after winding, or if it needs to be moved closer, for example to the fire truck, we can leave it on a roller and take it to its destination, where it is subsequently removed from the roller. The roller can also be used for convenient draining water from the filled hose by pulling it over guiding coil or for controlled unwinding wound hoses using the REVERSE function.

Safety

- Safety limit on winding power (automatically switches off if limit is excessively exceeded)
- Smooth start, immediate stop
- Safe working voltage – 2 x 18 V



Type	ET-Roller 7
Dimensions in use (w x d x h)	505 x 530 x 885-1150 mm
Dimensions of folded roller (w x d x h)	505 x 335 x 940 mm
Height of roller with handle at the maximum	1150 mm
Package dimensions	1000 x 670 x 380 mm
Weight without fire hose with „DRUM“ type of removable carrier	41,5 kg without batteries 44,5 kg with batteries
Types of fire hoses that can be wound	up to 6"
Optional accessories at extra cost	
Hose protector	Material: stainless steel Dimensions: 228 x 352 x 160 mm (w x d x h) Weight (kg): 1,1
Removable carrier – „DRUM 5,6“ type – for 5", 6" hoses	Material: stainless steel Dimensions: ø 240 mm, length 176-250 mm Weight (kg): 8,4
Removable carrier – „2 FORKS“ type – for hoses up to 4"	Material: stainless steel Dimensions: pitch 70 mm, length 180 mm Weight (kg): 2,7

